

Monash Biotech **Injection** Micropipettes

Injection/ICSI micropipettes are designed to aspirate and inject the sperm cell directly into the oocyte. Monash Biotech ICSI micropipettes are available with & without spike.

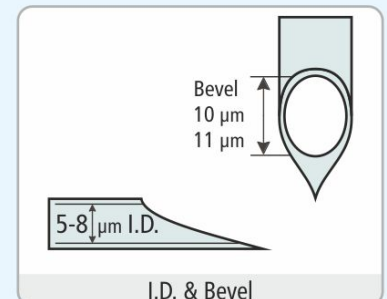
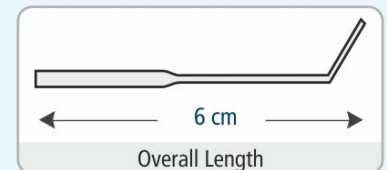
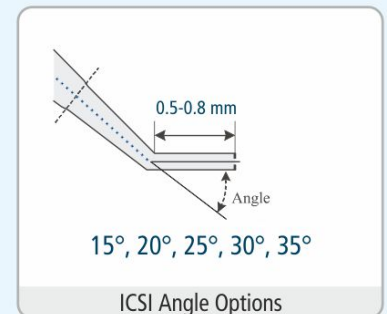
Injection Micropipettes (10 per box) *

Catalogue No.	Description	Bevel Length	I.D.
Std with Spike			
MBIS-0511-30	30° angled	11 µm	05 µm
MBIS-0511-35	35° angled	11 µm	05 µm

Catalogue No.	Description	Bevel Length	I.D.
Without Spike			
MBI-0511-30	30° angled	11 µm	05 µm
MBI-0511-35	35° angled	11 µm	05 µm

Catalogue No.	Description	Bevel Length	I.D.
MBIS-0710-00	Straight,	10 µm	07 µm
MBIS-0710-15	15° angled	10 µm	07 µm
MBIS-0710-20	20° angled	10 µm	07 µm
MBIS-0710-25	25° angled	10 µm	07 µm
MBIS-0710-30	30° angled	10 µm	07 µm
MBIS-0710-35	35° angled	10 µm	07 µm

Catalogue No.	Description	Bevel Length	I.D.
MBIS-0810-00	Straight,	11 µm	08 µm
MBIS-0810-15	15° angled	11 µm	08 µm
MBIS-0810-20	20° angled	11 µm	08 µm
MBIS-0810-25	25° angled	11 µm	08 µm
MBIS-0810-30	30° angled	11 µm	08 µm
MBIS-0810-35	35° angled	11 µm	08 µm



- * micropipettes are individually packed and sterile
- * measurement tolerance $\pm 5\%$
- * taper length 600 µm